

PHILIPS

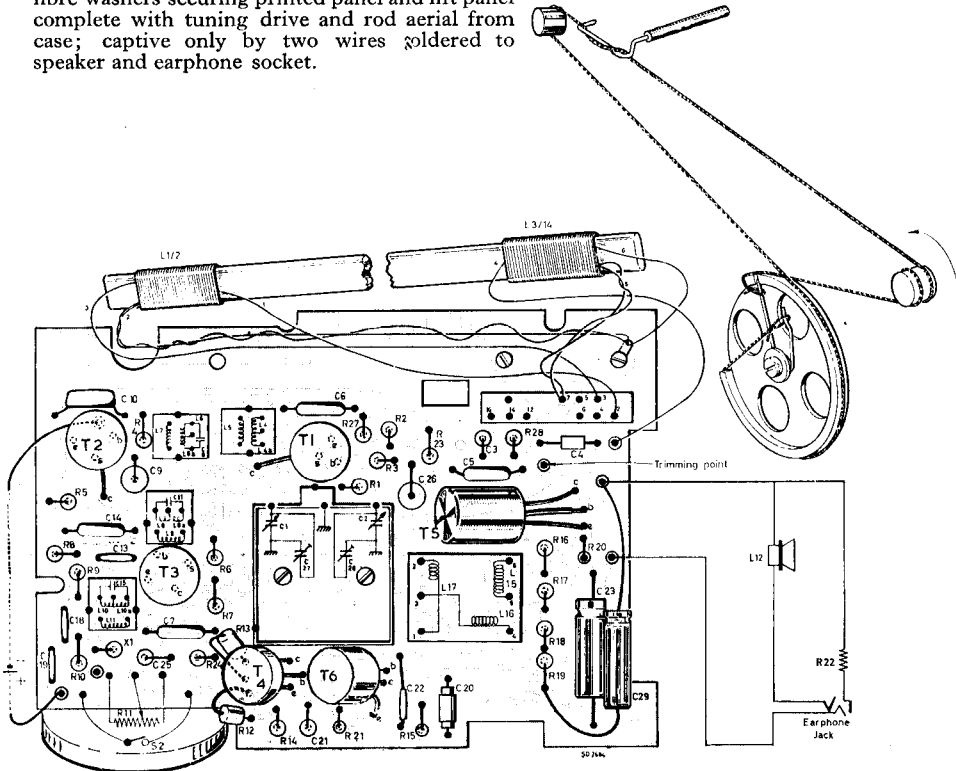
Model L2G37T

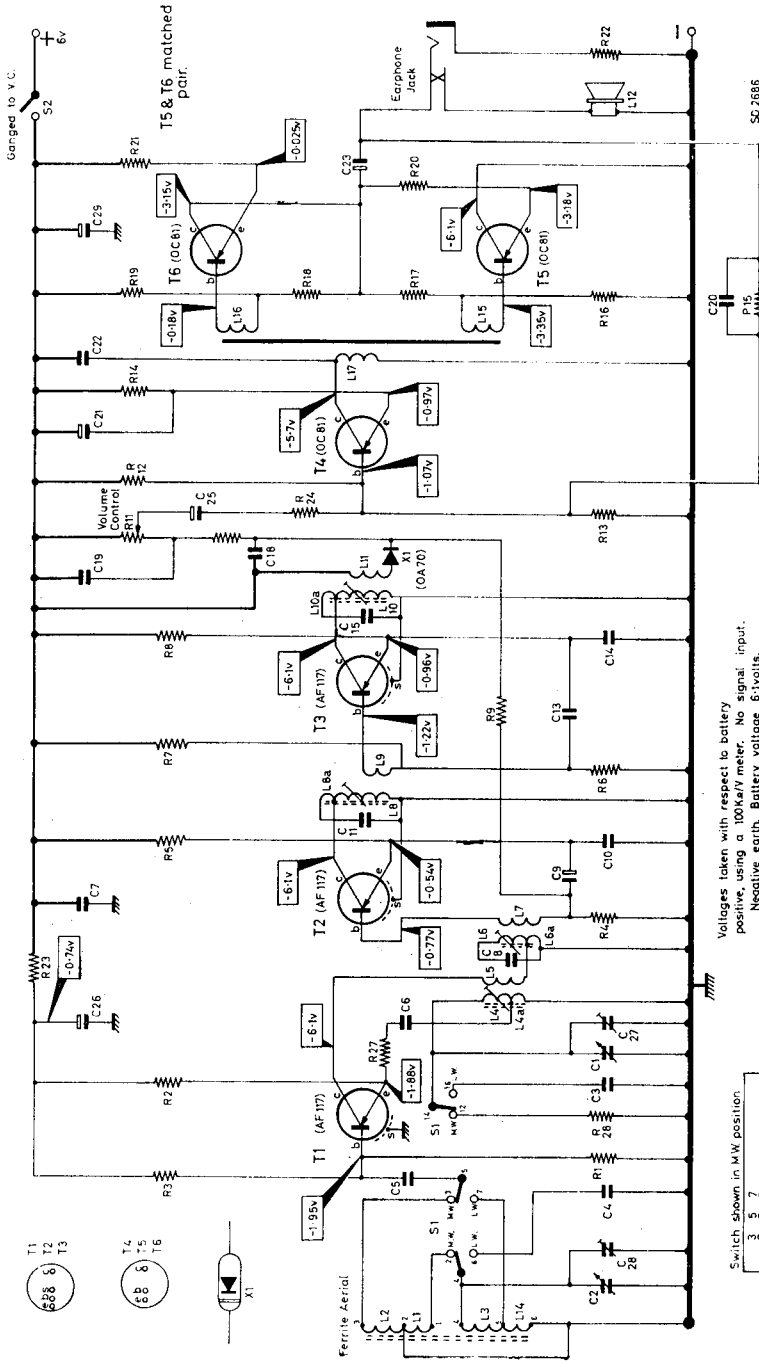
General Description: Six-transistor, M.W./L.W. camera class portable receiver with earphone socket for personal listening (Philips earphone type AF9120/10 suitable). Operation on six volts D.C. (four 1.5 volt cells, U7, V12R or equivalent), no-signal consumption 9-15 mA. Also known as Model 237T.

Semiconductors: (T1) AF117; (T2) AF117; (T3) AF117; (T4) OC81; (T5, T6) OC81; (X1)OA70.

Alignment: I.F. 470 kc/s. (L10, L8, L6); Oscillator: 148 kc/s. (L4); 1635 kc/s. (C27); Aerial: 190 kc/s. (L3/L14); 525 kc/s. (L1/L2); 1300 kc/s. (C28).

Dismantling: Sliding cover in base gives access to battery compartment. To uncase completely, remove battery cover, take out batteries, battery instruction label and foam pad. Slack off ($\frac{1}{8}$ in. approximately) the only two screws visible, press in screw heads to release clamping brackets; then with set lying face uppermost, gently separate two halves of case. Component side of printed panel is now accessible. Remove for safe keeping carrying strap fixing studs, case clamping brackets and battery link. For access to underside of panel, first unscrew fixing nut of earphone socket to release station scale with escutcheon. Next slacken off two aerial rod support screws and swivel end of rod carrying M.W. aerial winding clear of screw head below windings. Then taking great care not to damage L1/L2 remove two screws securing tuning pointer drive bracket to case. Finally, remove two screws with fibre washers securing printed panel and lift panel complete with tuning drive and rod aerial from case; captive only by two wires soldered to speaker and earphone socket.





CIRCUIT DIAGRAM—PHILIPS MODEL L2C37T

Voltagess taken with respect to battery positive, using a 100ka/v meter. No signal input. Negative earth. Battery voltage 6ivolts.

- Capacitors.
- C3 154 pF.
 - C4 47,000 pF.
 - C5 36 pF.
 - C6 10,000 pF.
 - C7 10,000 pF.
 - C8 82 pF.
 - C9 32 pF.
 - C10 47,000 pF.
 - C13 10,000 pF.
 - C14 200 pF.
 - C16 10,000 pF.
 - C18 10,000 pF.
 - C19 32 pF.
 - C20 10,000 pF.
 - C21 32 pF.
 - C22 10,000 pF.
 - C23 200 pF.
 - C25 3.2 μF.
 - C26 20 μF.
 - C29 200 μF.

- Resistors.
- R1 22k
 - R2 1k
 - R3 6.8k
 - R4 82k
 - R5 470
 - R6 15k
 - R7 3.9k
 - R8 1k
 - R9 12k
 - R10 470
 - R11 5k
 - R12 10k
 - R13 47k
 - R14 470
 - R15 0.39M
 - R16 1.5k
 - R17 100
 - R18 1.5k
 - R19 100

- R20* 3.3
- R21* 3.3
- R22 3.3k
- R23 560
- R24 820
- R27 56
- R28 0.18M

* Some models 4.7 ohms

